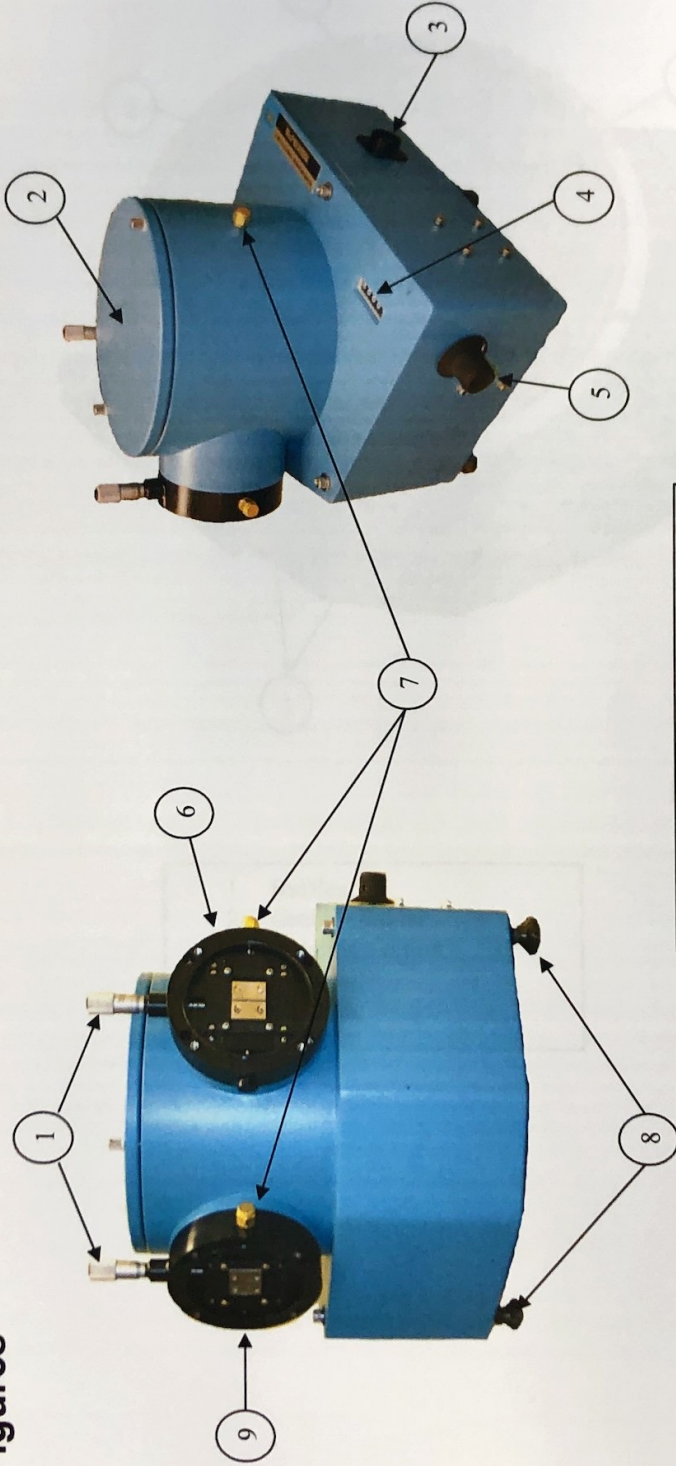


**Figures**



**Figure 1**

- 1. Micrometer heads
- 2. Cover
- 3. Limit switch cable connector
- 4. Mechanical counter
- 5. Knob
- 6. Exit slit face
- 7. 1/8" NPT connectors
- 8. Adjustable feet
- 9. Entrance slit face

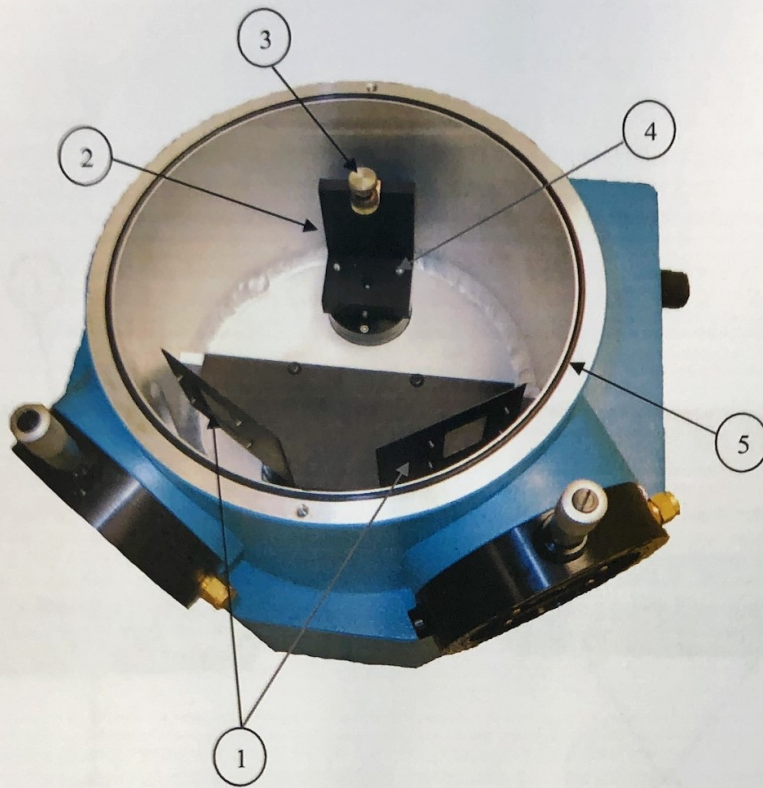


Figure 2

- 1. Baffles
- 2. Grating holder
- 3. Retaining screw
- 4. Half balls
- 5. "O" ring



# Slit Mounting Flange drawing

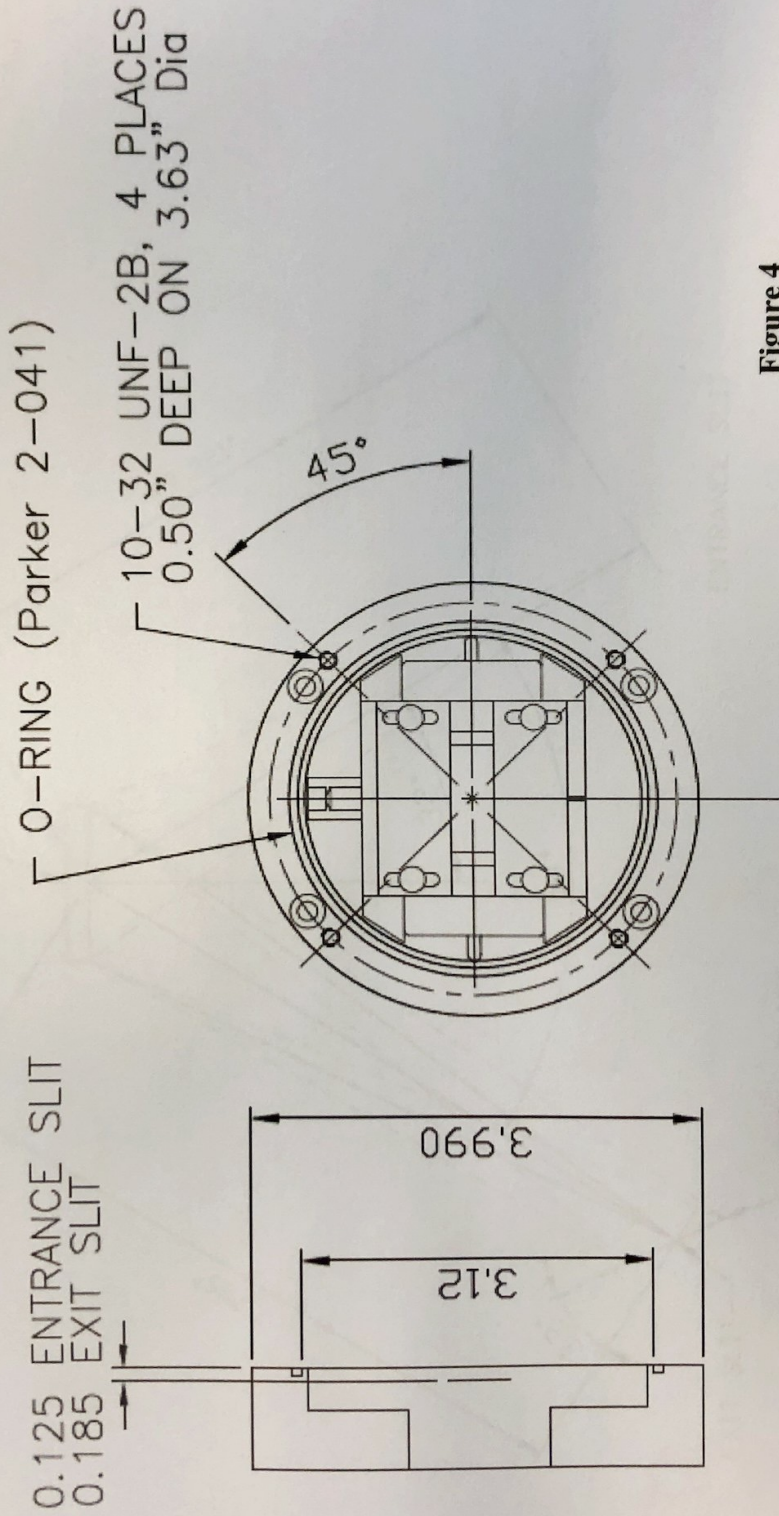


Figure 4

# Model 234/302 Monochromator

## 234/302 Optical Diagram

CONCAVE CORRECTED HOLOGRAPHIC GRATING

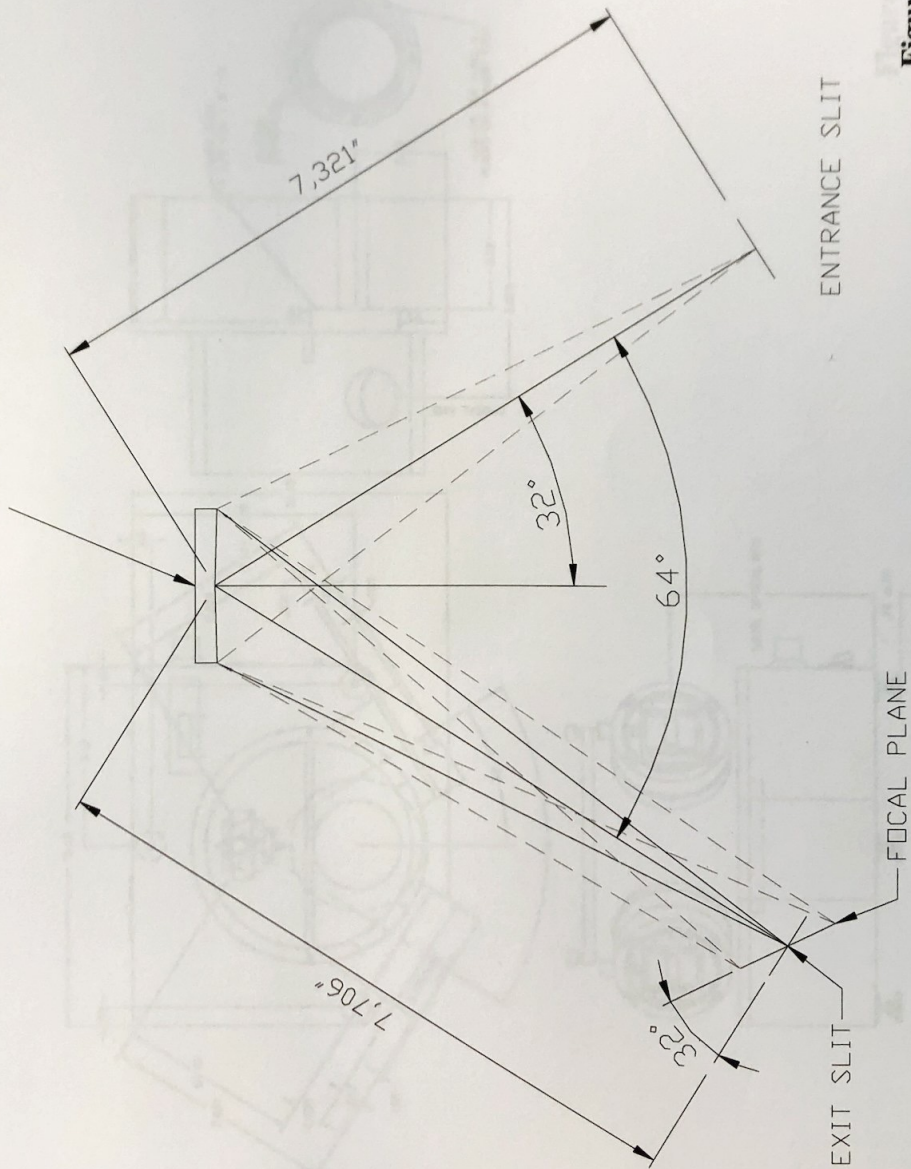


Figure 5



# Model 234/302 Monochromator

## 234/302 Layout

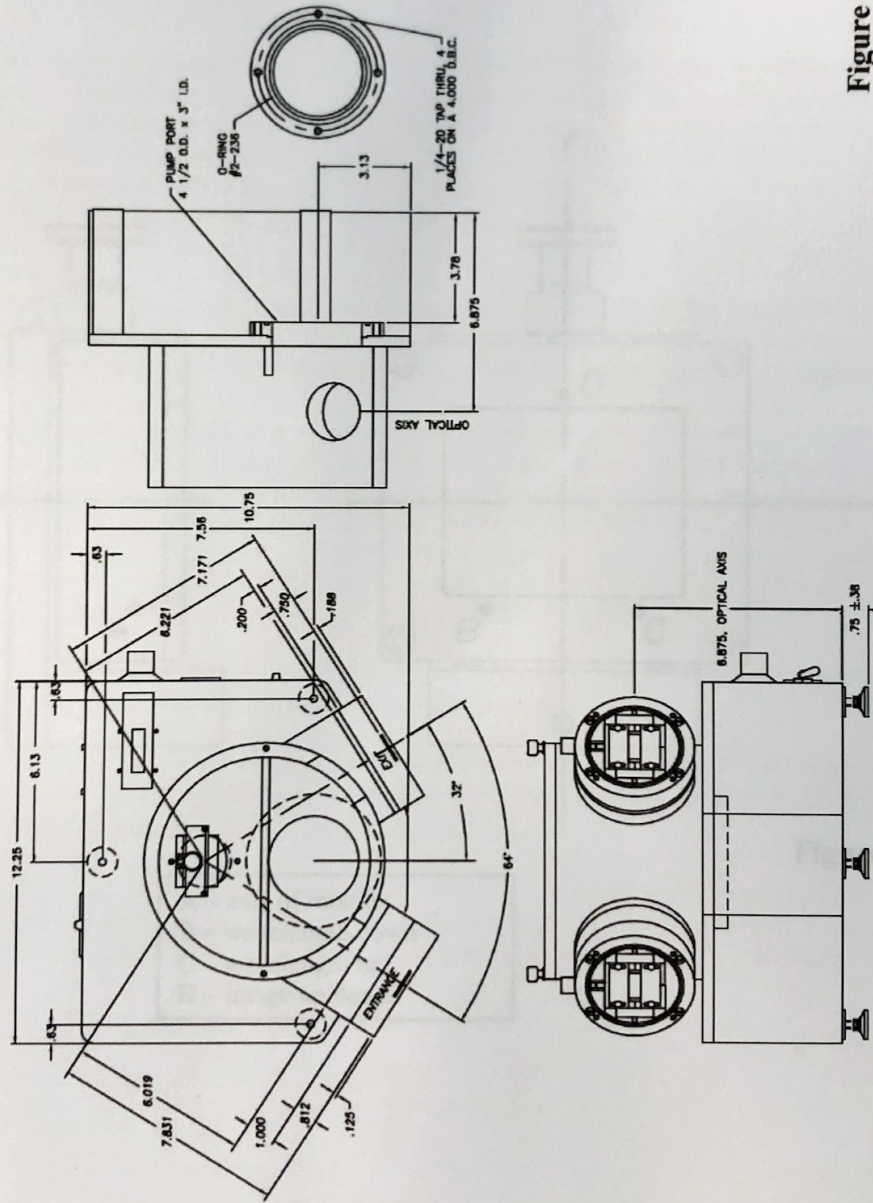


Figure 6

Appendix

Warranty and Assistance, Warranty Conditions, and Returning Goods

Warranty and Assistance

McPherson products are warranted to be free from defects in material and workmanship and conform to the specifications furnished by the customer at date of delivery. The warranty is given on a "no labor" basis. The warranty is limited to repairing, replacing or restoring any McPherson made part or parts thereof, required in the field. Shipping or travel expenses to be incurred by customer both ways, same as indicated by McPherson carry a warranty of one year. Product's repair may be done at customer's expense where available.

McPherson will not be responsible for consequential damages or loss from accidents, misuse, improper use, or handling by the customer. The warranty is void in case of fire or excessive voltage or any other violation of safety instructions furnished by the company.

If any defect appears upon receipt, the purchaser should promptly notify the company. No material will be accepted for repair or replacement without the authorization from the company. The purchaser should be advised that the company is not responsible for transportation, or maintenance in the field. Shipping and/or travel charges are not included and must be paid by the customer. The company is not responsible for a customer's failure to properly maintain or use the equipment.

For parts not in stock, the customer will be notified. Repair charges will be added to the customer's bill for servicing of equipment.

The company reserves the right to make changes or improve its products and will supply such replacement where available without charging upon itself the obligation to supply the same in lieu of its products previously shipped and/or manufactured.

The warranty is in full and no other warranty is intended or declared as the part of the company. The company is not responsible for damage to equipment by other persons to whom, under obligations or laws, the company is required to supply the use of equipment manufactured by McPherson.

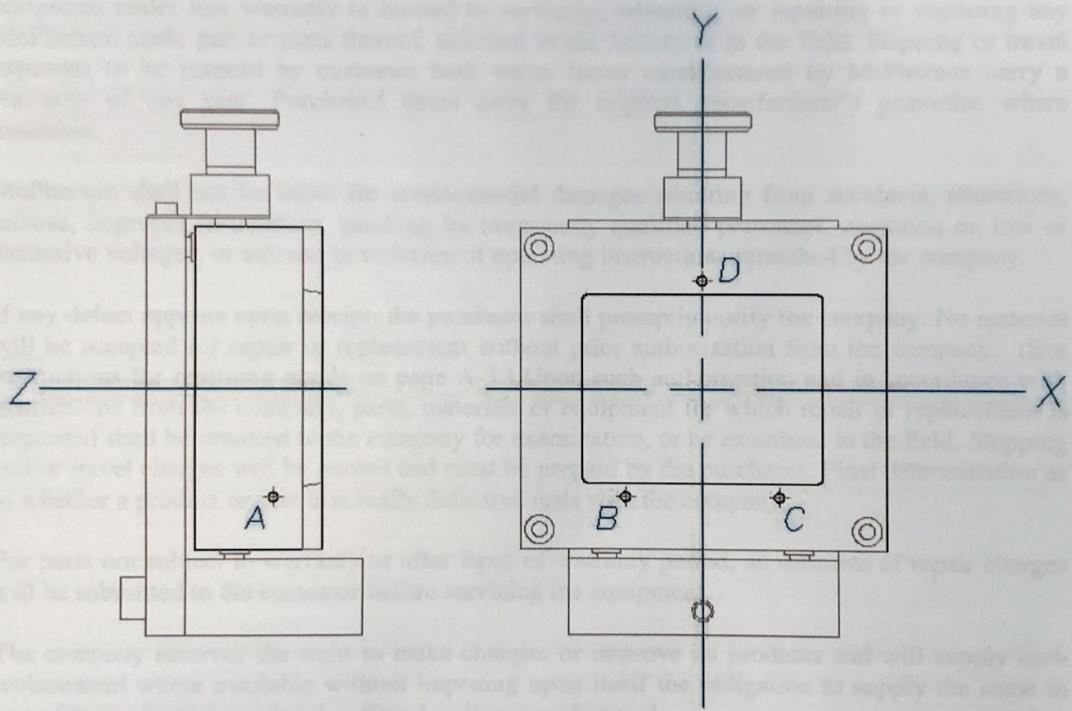


Figure 7

- A - axis of rotation
- B - wavelength down
- C - wavelength up
- D - image up/down